

WASHROOM ACCESSORIES



BUILDING VALUE SINCE 1906



A SMARTER RESTROOM

The restroom can be a source of sustained value. With Bobrick, the right accessories can support your design vision and stand the test of time.



B-635 Klutch Mobile Device Holder

Holds devices safely
and securely.

Page 47



B-830 SureFlo® Soap Dispensing System

Serve up to five
sinks at once.

Page 20



NEW B-164 Series LED Mirrors

Reflect quality, value
and style.

Page 26



B-540 Surface-Mounted Toilet Tissue Dispenser & Utility Self

Multi-roll and
multifunctional.

Page 34



NEW SureFlo® Foam Automatic, Top Fill Bulk Soap Dispenser

Minimizes cross
contamination.

Page 17



B-3091 & B-3092 Horizontal Toilet Compartment Accessories









Engineered for
compliant grab
bar placement.

Page 36

RESTROOM AMENITIES

2	Design Integrated Accessory Series
4	Restroom Accessories
6	Combination Towel/Waste Units
10	Paper Towel Dispensers
14	Waste Receptacles
16	Soap Dispensers
23	Sanitary Napkin/Tampon Vendors
24	Hand Dryers
26	Mirrors
30	Toilet Compartment Accessories
32	Toilet Tissue Dispensers
34	Cubicle Collection
35	Seat Cover Dispensers
36	Toilet Compartment Accessories
38	Sanitary Napkin Disposals
40	Grab Bars
42	Specialty Accessories
44	Bathroom Accessories
46	Shower/Tub Accessories
47	Hooks/Shelves/Custodial Accessories
49	Healthcare Accessories
50	Koala Kare Childcare Accessories
52	Why Bobrick?

LEGEND

- NEW** Introduced in 2020 and 2021
- IMPROVED** Operational improvement(s) or new feature(s)
-  **QuickShip:** U.S & Canada
-  **QuickShip:** U.S only
-  ADA compliant
-  Sustainable operation by reducing waste and/or consumable usage
-  TowelMate® paper towel-saving accessory available
-  LinerMate® retainer accessory available
-  Cost Savings Calculator available at bobrick.com
-  Additional configurations available at bobrick.com

INDEX

Product.....	Pages		
204-1	46	B-354	39
204-2	46	B-35633	14
251-4	40	B-35639	14
366-60	8	B-357	37
367-60	8	B-35745	37
368-60	8	B-3579	37
3944-52	8	B-3588	32
3961-50	8	B-35883	32
*3974-250	8	B-359	12
B-1556 Series	28	B-35903	11
B-164 Series	26	B-359033	11
B-165 Series	27	B-359039	11
B-166 Series	28	B-3644	14
B-167 Series	26	B-369	9
B-169 Series	26	B-36903	7
B-2000	22	*B-37063	23
B-2012	22	*B-3725	24
B-2013	22	B-3803	7
B-207	46	B-38034	7
B-2111	21	B-380349	7
B-2112	21	B-386	33
B-221	35	*B-3888	32
B-221216	15	B-39003	7
B-224	48	B-3940	9
B-2250	15	B-3942	9
B-239	48	B-3944	9
B-254	39	*B-3961	8
B-262	12	*B-3974	8
B-2620	12	B-398	44
B-26627	22	B-4063	21
B-268	15	B-4112	21
B-270	38	B-4207	45
*B-2706	23	B-4221	35
B-279	14	*B-4262	11
B-2840	32	B-4288	32
B-2860	13	B-4353	38
B-287	48	B-4354	38
*B-2888	32	*B-43644	14
B-2890	33	*B-4369	6
B-2892	33	B-4388	32
*B-290 Series	27	B-4390	45
B-292 Series	28	*B-43944	6
*B-293	29	*B-4706	23
B-294	29	*B-4998	40
B-297	44	B-505	49
*B-2974	13	B-50517	49
*B-29744	13	B-517	46
B-301	35	B-518	46
B-3013	35	B-5181	46
B-306	22	B-5191	46
*B-3091	36	B-526	12
*B-30919	36	B-529	15
*B-3092	36	B-530	45
*B-30929	36	B-532	15
B-318	13	B-540	34
B-347	37	B-541	34
B-3474	37	B-542	34
B-3479	37	B-543	34
B-35016	49	B-544	34
B-3513	39	B-545	45
B-35139	38	B-546	34
B-35303	39	B-547	34
		B-548	34
		B-549	34
		B-5806 Series	40
		B-58616 Series	41
		B-5898	41
		B-635	47
		B-667	33
		B-673	45
		B-674	44
		B-676	44
		B-6806 Series	40
		B-6827	48
		B-683	44
		B-685	33
		B-68616 Series	41
		B-687	45
		B-6898.99	41
		B-699	33
		B-7125	24
		B-7128	25
		B-7188	25
		B-750	25
		B-770	25
		B-778	25
		B-7816	49
		*B-81212	20
		*B-81312	20
		*B-81412	20
		B-822	19
		*B-823	19
		*B-824	17
		*B-82512	20
		*B-828	17
		*B-8281	17
		*B-830	20
		B-8397	44
		*B-840	18
		*B-842	18
		*B-845	18
		*B-846	18
		*B-848	18
		*B-850	18
		*B-852	18
		*B-855	18
		*B-856	18
		*B-858	18
		*B-8870	18
		*B-8872	18
		*B-8875	18
		*B-8876	18
		*B-8878	18
		B-918116 Series	46
		B-942	28
		KB101-00	51
		*KB200-00	51
		*KB200-SS	51
		*KB310-SSRE	50
		*KB310-SSWM	50
		*KB311-SSRE	50
		*KB311-SSWM	50
		*TowelMate	6, 9

*Patented or patent pending. For patent information, please visit bobrick.com/patents.

For Additional Products, Tools & Documentation

For Technical Data Sheets, Guide Specifications, CAD Files, BIM Objects, Installation Instructions and more, visit Bobrick online at bobrick.com



DESIGN INTEGRATED ACCESSORY SERIES

To support harmonized, integrated design concepts, Bobrick offers three design integrated accessory series. Products within each series share signature design elements to enable a cohesive aesthetic and ease of specification.



ConturaSeries®

ConturaSeries accessories feature gentle 27° curvilinear design and consistent styling with flush tumbler locks. Choose from recessed and surface-mounted models. For towel and maintenance labor savings, ConturaSeries accessories are available with Bobrick's TowelMate and LinerMate accessories. Specify ConturaSeries for corporate headquarters, Class-A commercial buildings, civic icons and performing arts centers.



Monoform draws result in seamless design.





Rectangular design for Bauhaus architecture.

IMPROVED TrimLineSeries™

Designed for integration throughout the restroom, TrimLineSeries accessories achieve minimalistic design for clean, unadulterated lines with concealed flanges and flush locks on most models. Now with TowelMate for towel savings. Specify these accessories for contemporary environments, from prestige buildings and hospitality environments to healthcare and retail properties.

DESIGNER'S NOTE

TrimLineSeries and other accessories are available in **colored stainless steel** in a range of visually exciting colors and textures. Ask your Bobrick representative for more information, including available products.



"Classic" beveled flange for installation ease.

ClassicSeries®

Ideal for budget-sensitive projects, ClassicSeries is the standard of value and offers the largest selection of models for all Type-304 restroom accessories. The series includes Bobrick's improved Automatic, Universal Roll Paper Towel Dispenser series, performance engineered with signal lights for ease of operation and maintenance. Specify ClassicSeries for standard-use buildings, including commercial offices, as well as institutional and industrial environments.



RESTROOM ACCESSORIES



B-290
Welded-Frame Mirror
Page 27



B-828
SureFlo Foam
Automatic Counter-
Mounted Soap
Dispenser
Page 17



B-8878
Designer Series
Polished Chrome
Automatic Faucet
Page 18



B-43944
ConturaSeries
Recessed Paper
Towel Dispenser/
Waste Receptacle
Page 6



B-3725
TrimLineSeries ADA
Recessed Hand Dryer
Page 24



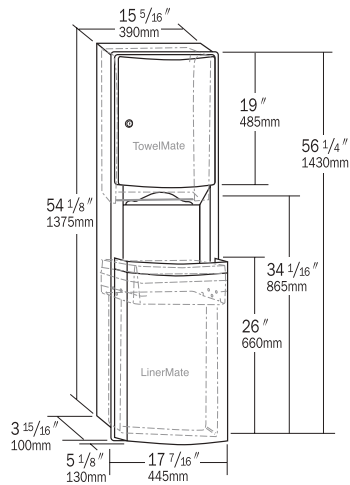
Corporate Office
Products: B-290 Mirror, B-38031 Combination Unit,
B-858 Soap Dispenser, B-8878 Faucet



Healthcare Facility
Products: B-29744 Roll Paper Towel Dispenser, B-275 Waste
Receptacle, B-290 Mirror, B-824 Soap Dispenser

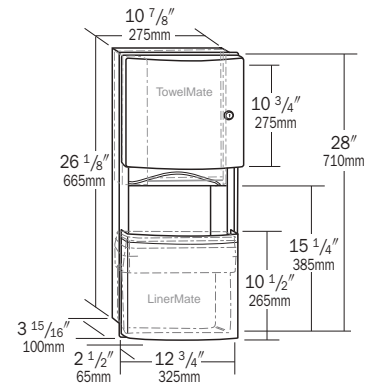


COMBINATION TOWEL/WASTE UNITS



B-43944 ConturaSeries Recessed Paper Towel Dispenser/Waste Receptacle (Standard with TowelMate & LinerMate)

Satin-finish stainless steel. Flush tumbler lock. Dispenses 600 C-fold or 800 multifold towels. Removable front panel for easy cleaning. Includes TowelMate and LinerMate accessories. Receptacle has 15-gal capacity. Patented.



B-4369 ConturaSeries Recessed Paper Towel Dispenser/Waste Receptacle (Standard with TowelMate & LinerMate)

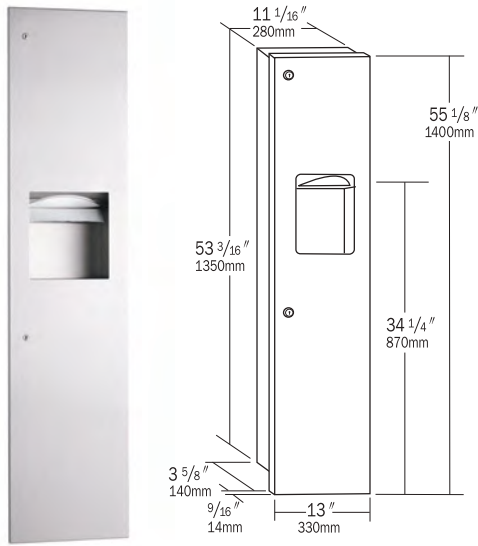
Satin-finish stainless steel. Flush tumbler lock. Dispenses 350 C-fold or 475 multifold towels. Waste receptacle has 3-gal capacity. Removable front panel for cleaning. Patented.

DESIGNER'S NOTE

B-43944, B-4369 and other ConturaSeries accessories come standard with the TowelMate paper towel-saving accessory to help **reduce towel usage by up to 20%**. TowelMate dispenses one towel at a time, every time, and is also available as a standalone accessory to complement other Bobrick folded Paper Towel Dispensers.



ConturaSeries B-43944 Recessed Paper Towel Dispenser/Waste Receptacle



IMPROVED B-38034 TrimLineSeries
Recessed Paper Towel Dispenser/Waste Receptacle

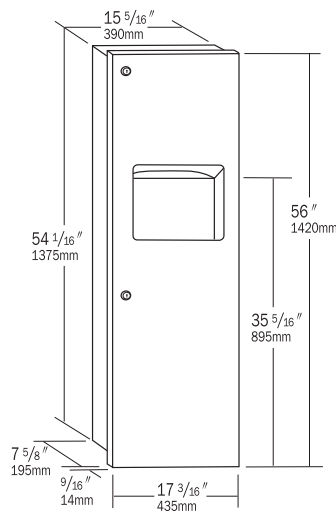
Satin-finish stainless steel. Built in TowelMate®. Flush locks. Door has 90° return, conceals flange. Dispenses 600 C-fold, 800 multifold or 1100 single-fold towels. Removable, leak-proof, 3.8-gal waste container.

B-3803 Similar to B-38034, but with 6.3-gal waste container and requires 5 5/8" min. depth.



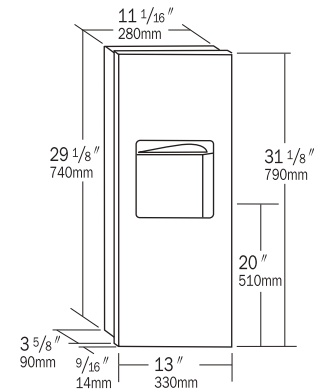
IMPROVED B-380349 TrimLineSeries
Surface-Mounted Paper Towel Dispenser/Waste Receptacle

Satin-finish stainless steel. Built in TowelMate®. Flush locks. Door has 90° return, conceals flange. Dispenses 600 C-fold, 800 multifold or 1100 single-fold towels. Removable, leak-proof, 3.8-gal waste container. Skirt for surface-mounting.



IMPROVED B-39003 TrimLineSeries
Recessed Paper Towel Dispenser/Waste Receptacle

Satin-finish stainless steel. Built in TowelMate®. Flush locks. Door has 90° return, conceals flange. Dispenses 600 C-fold, 800 multifold or 1100 single-fold towels. Removable, leak-proof, 12-gal waste container.

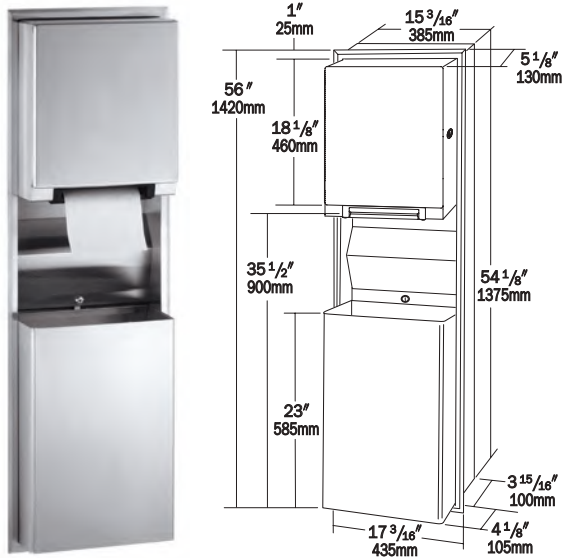


IMPROVED B-36903 TrimLineSeries
Recessed Paper Towel Dispenser/Waste Receptacle

Satin-finish stainless steel. Built in TowelMate®. Door has 90° return. Dispenses 300 C-fold or 400 multifold towels. Removable, leak-proof, 1.6-gal waste container.

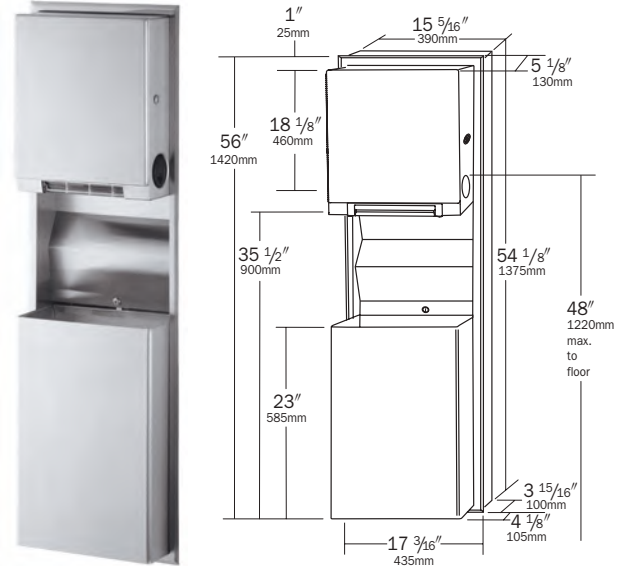


COMBINATION TOWEL/WASTE UNITS



B-3974 ClassicSeries Recessed Convertible Automatic Roll Towel Dispenser/Waste Receptacle

Intuitive, patron-friendly light clearly directs users to towel activation zone, eliminating hand waving. Convertible automatic universal, roll paper towel dispenser and removable 12-gal waste receptacle module. Satin-finish stainless steel. Seamless beveled flange. Waste receptacle is locked into cabinet. Requires 4 D-cell batteries (not included). Patented.



B-3961 ClassicSeries Recessed Convertible Roll Paper Towel Dispenser/Waste Receptacle

Unit includes convertible universal, roll paper towel module and removable 12-gal waste receptacle module. Satin-finish stainless steel. Seamless beveled flange. Touch-free, pull-towel mechanism dispenses 12" length per pull. Accommodates 8" wide, up to 8" diameter rolls, 800 feet long, plus 3 1/2" diameter stub roll with automatic transfer. Waste receptacle is locked into cabinet. Patented.

Interchangeable Modules for ClassicSeries Combination Units

Modules convert from and to automatic and touch-free roll towels and folded towels.

Modules dispense universal, economically-priced products compared to proprietary contracts.

Conversions are made without replacing existing cabinets in the wall.



3944-52 folded towel dispenser module.



3961-50 touch-free, pull-towel dispenser module.



3974-250 automatic dispenser module. Patented.



NEW 366-60 6-gal



367-60 12-gal



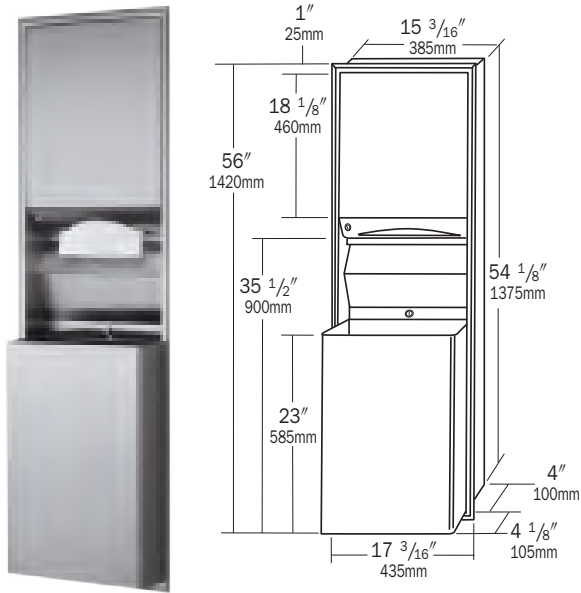
368-60 18-gal

DESIGNER'S NOTE

Restrooms may serve various patron and traffic types over their life cycles. Convertible cabinets enable switching between folded, mechanical roll and automatic roll towels without compromising design integrity, inconvenience or additional cost.

Interchangeable Receptacles:

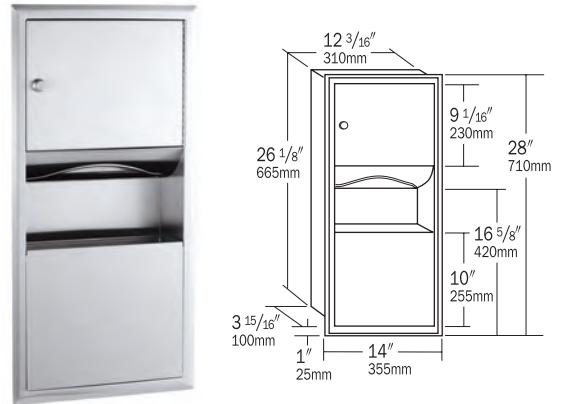
Choose from 6- 12- and 18-gal waste receptacles. Fit **B-3944, B-3961, B-3974 Series.**



B-3944 ClassicSeries Recessed Convertible Paper Towel Dispenser/Waste Receptacle

Unit includes convertible paper towel module and 12-gal waste receptacle module. Satin-finish stainless steel. Seamless beveled flange. Dispenses 600 C-fold or 800 multifold towels. Removable waste receptacle locked into cabinet. Receptacle has 12-gal capacity. **Compatible with interchangeable modules. See page 8.**

NEW B-3940 Similar to B-3944, with 6-gal waste receptacle module.
B-3942 Similar to B-3944, but with skirt for semi-recessing in 2" walls.



B-369 ClassicSeries Recessed Paper Towel Dispenser/Waste Receptacle

Satin-finish stainless steel. Seamless beveled flange. Dispenses 350 C-fold or 475 multifold towels. Knob-latch retains door. Removable waste container has 2-gal capacity.



Reduce Towel Usage by Up to 20%

TowelMate dispenses one towel at a time, every time, to reduce towel usage by up to 20%. When selecting folded towel dispensers, use the model number of your choice and add the appropriate TowelMate model number to complete your specification. Accessories can also be ordered for similar models of like description. Patented.

Part No.	Model No.
3803-130	B-3803*, B-38032*
⚡ 369-130	B-35903*, B-36903*, B-359, B-369, B-3699
⚡ 3944-130	B-38034*, B-380349* B-3942, B-3944, B-3947, B-3949
⚡ 262-130	B-262, B-2620, B-2621, B-26212
39003-130	B-39003*

*Retrofittable parts for TrimLineSeries models manufactured before January 2021.





ROLL OR FOLD?



Roll Paper Towels

Benefits

- More sustainable than folded paper towels in most buildings
- Automatic feature adjustable towel lengths.
- Stub roll utilization feature provides complete consumable usage with less replacement time

Ideal Applications

- Buildings where sustainable operation is important
- High-traffic facilities
- Projects with stringent operating budgets



Folded Paper Towels

Benefits

- When TowelMate is installed, units dispense one towel at a time, reducing consumption and waste
- Faster dispensing of towels
- Dispensers may be concealed, countertop mounted or have minimal wall protrusion

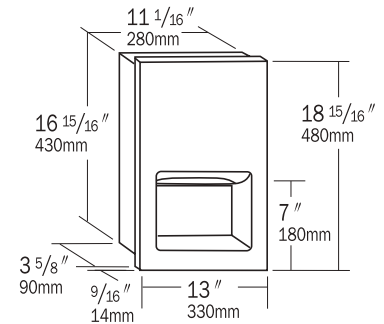
Ideal Applications

- Restrooms where low-profile design is desired, but recessed roll dispensers are not viable
- Prestige buildings with low-to-medium traffic where a minimalistic design theme is preferred



B-4262 ConturaSeries Surface-Mounted Paper Towel Dispenser with TowelMate

Satin-finish stainless steel. Tumbler lock on top of cabinet. Door swings down for loading towels. Dispenses 400 C-fold or 525 multifold towels. Cabinet slots indicate refill time. Unit 10 13/16" W, 13 1/4" H, 4 7/8" D. Patented.



IMPROVED B-35903 TrimLineSeries Recessed Paper Towel Dispenser with TowelMate

Satin-finish stainless steel. Built in TowelMate®. Door has 90° return. Dispenses 300 C-fold or 400 multifold towels.



IMPROVED B-359039 TrimLineSeries Surface-Mounted Paper Towel Dispenser with TowelMate

Satin-finish stainless steel. Built in TowelMate®. Flush lock. Dispenses 300 C-fold or 400 multifold towels. Door equipped with tumbler lock and full-length stainless steel piano hinge. Skirt is removable in the field for optional recessed mounting. Unit 12 13/16" W, 17 15/16" H, 4 1/2" D.



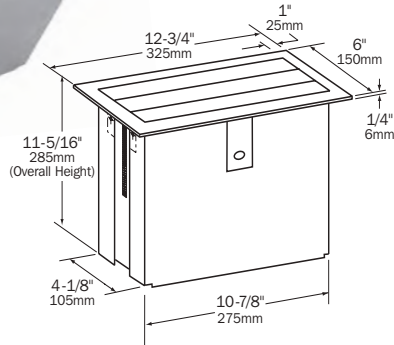
B-359033 Similar to B-359039, but for recessed installation in 3 3/4" walls.

DESIGNER'S NOTE

In a typical office building with 40 folded towel dispensers, TowelMates helped reduce usage by 21% for at least \$1,700 in annual savings. Visit bobrick.com for an interactive Cost Savings Calculator.



PAPER TOWEL DISPENSERS



B-526 TrimLineSeries Countertop-Mounted Paper Towel Dispenser

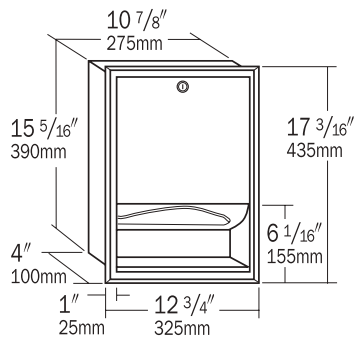
Satin-finish stainless steel. Flange has 90° return. Towels load into top of dispenser. Dispenses 300 C-fold or multifold towels. Unit 12 3/4" W, 6" front to back depth; 17" minimum clearance below mounting surface is required. Housing below countertop to conceal dispenser is not included.



B-262 ClassicSeries Surface-Mounted Paper Towel Dispenser

Satin-finish stainless steel. Dispenses 400 C-fold or 525 multifold towels. Door has tumbler lock and piano-hinge. Hemmed towel tray opening. Unit 10 3/4" W, 14" H, 4" D.

B-2620 Similar to B-262, but with knob-latch.

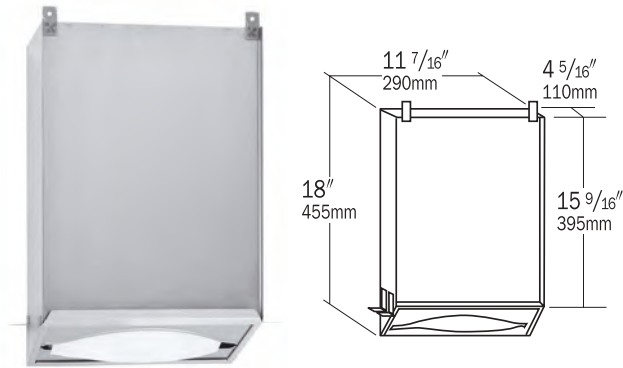


B-359 ClassicSeries Recessed Paper Towel Dispenser

Satin-finish stainless steel. Seamless beveled flange. Dispenses 350 C-fold or 475 multifold towels. Door equipped with full-length stainless steel piano-hinge at bottom; swings down for easy filling.

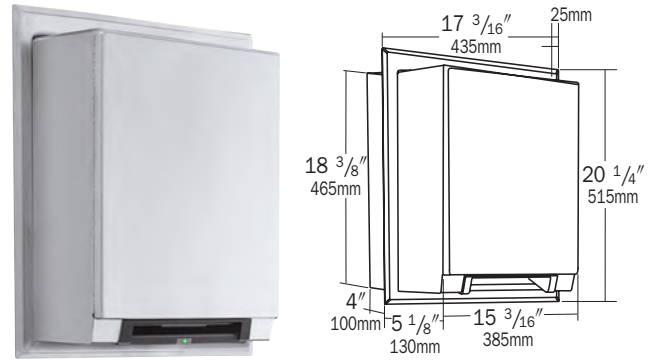
DESIGNER'S NOTE

From reduction of towel usage to elimination of plastic waste to multi-feed soap dispensing systems, the right accessories can enable long-term sustainability. **Learn more by registering for our AIA/HSW CEU course, "Designing Restrooms for Sustainable Operation."**



B-318 Concealed Paper Towel Dispenser

Satin-finish stainless steel. Dispenses 600 C-fold or 800 multifold towels. Towels load into bottom of cabinet concealed behind wall or mirror; only the towel tray is visible.



B-2974 Automatic, Universal Semi-Recessed Roll Paper Towel Dispenser

Intuitive, patron-friendly light clearly directs users to towel activation zone, eliminating hand waving. Patented.



B-2974 Automatic, Universal Surface-Mounted Roll Paper Towel Dispenser

Intuitive, patron-friendly light clearly directs users to towel activation zone, eliminating hand waving. Satin-finish stainless steel. Door has tumbler lock and piano-hinge. Unit 15 3/16" W, 18 1/4" H, 9" D. Requires 4 D-cell batteries (not included). Patented.

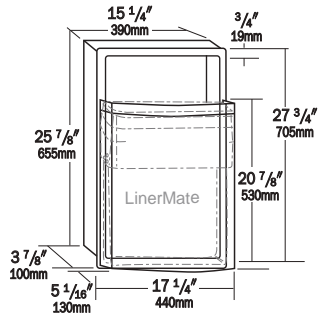


B-2860 Surface-Mounted Roll Paper Towel Dispenser

Satin-finish stainless steel. Touch-free, pull-towel mechanism dispenses 12" length per pull (1.8 lbs) of universal towels. Accommodates 8" wide, up to 8" diameter rolls, 800 feet long, plus 3 1/2" diameter stub roll with automatic transfer. Door has tumbler lock and piano-hinge. Unit 11 3/4" W, 15" H, 9" D.

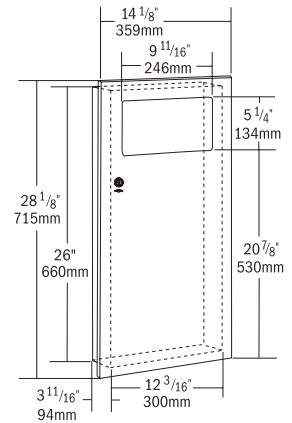


WASTE RECEPTACLES



B-43644 ConturaSeries Recessed Waste Receptacle with LinerMate

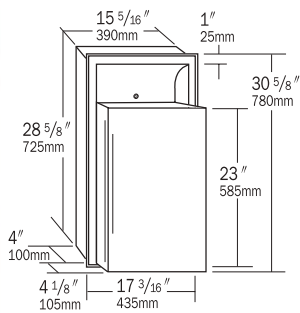
Satin-finish stainless steel. Removable front panel for easy cleaning. Capacity: 12.8-gal. Patented.



IMPROVED B-35633 TrimLineSeries Recessed Waste Receptacle with Disposal Door

Satin-finish stainless steel. Flush lock. Removable stainless steel waste container. Capacity: 3-gal.

B-35639 Similar to B-35633, but surface-mounted.



B-3644 ClassicSeries Recessed Waste Receptacle

Satin-finish stainless steel. Seamless beveled flange. Removable receptacle locks into cabinet. Capacity: 12-gal.

NEW Compatible with interchangeable modules. See page 8

366-60 6-gal waste receptacle module.

368-60 18-gal waste receptacle module.



B-279 Surface-Mounted Waste Receptacle

Satin-finish stainless steel. Bottom edges hemmed for safety. Hooks hold furnished reusable vinyl liner; removable for servicing. Capacity: 6.4-gal. Unit 14" W, 18" H, 6" D.



B-529 Countertop-Mounted Waste Chute

Rolled flange and exposed surfaces are bright-polished stainless steel. Outside diameter 6 ¹/₁₆" , inside diameter 5 ¹/₂" , chute depth 5". Provides access to under-counter waste receptacle (not included).

B-532 Similar to B-529, but with flat flange and exposed satin-finish stainless steel surfaces. Outside diameter 6 ³/₁₆" , inside diameter 5 ³/₁₆" , chute depth 3 ⁷/₁₆" .



B-268 Surface-Mounted Corner Waste Receptacle

Ideal for installation near exits where patrons use paper towels to assist door opening. Satin-finish stainless steel. Top and bottom edges hemmed for safety. Hooks hold furnished reusable vinyl liner. Capacity: 49.2 L. Unit 20 ¹/₂" W, 23" H, 12 ⁵/₁₆" D.



B-221216 Foot-Operated Waste Receptacle

Satin-finish stainless steel with pedal for foot operation. Integrated liner clamp. Capacity 12-gal. Unit 13 ³/₁₆" W, 23 ¹/₂" H, 14" D.



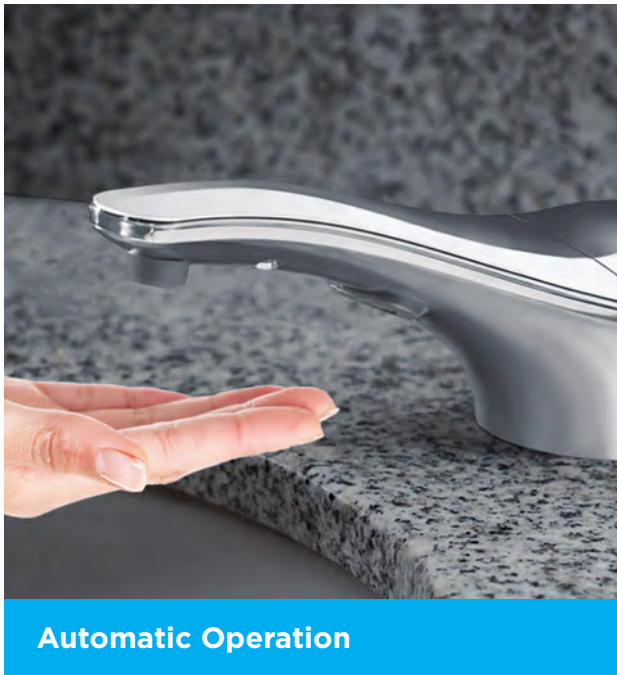
B-2250 Floor-Standing Waste Receptacle with Top

Satin-finish stainless steel. Top with self-closing doors. Vinyl wall bumper, rubber feet. Liner hooks. Capacity: 13-gal. Unit 13 ³/₁₆" W, 13 ³/₁₆" D at top, 29 ¹/₂" H.



AUTOMATIC OR MANUAL?

Although the no-touch restroom is quickly becoming industry standard, automatic soap dispensers are not a universal solution. Some projects may benefit from manual operation.



Automatic Operation

Benefits

- Enhances hygiene, reduces cross-contamination
- Controls soap usage with portion control
- Creates a seamless, modern experience

Ideal Applications

- Prestige or high-end buildings
- Low to medium traffic facilities
- Washrooms with other touch-free accessories, especially faucets



Manual Operation

Benefits

- No batteries or power source required
- More mounting options

Ideal Applications

- Buildings with limited janitorial staff or resources
- High-traffic facilities
- Projects with stringent capital budgets



NEW

B-828 & B-8281 B-824, SUREFLO[®] FOAM or LIQUID AUTOMATIC SOAP DISPENSER

Features & Benefits

- **Labor Savings:** Top filling saves labor; oversized fill port designed for economical bulk jug soap. No more under-counter servicing of screw-on cartridges.
- **Soap Savings:** Foam or liquid bulk jug soap saves more than 80% compared to proprietary cartridges at locked-in prices; SureFlo ROI averages one year.
- **Design Continuity:** Polished chrome finish reflects design continuity with other restroom accessories compared to the plastic retrofit hodgepodge.

- **Reliable Operation:** Electronic activation system defines the “dispense zone,” eliminating hand waving and false dispensing. Adjustable portion control.
- **Responsible:** Five 800ml soap cartridges hold approximately the same amount as a one-gal. bulk jug, resulting in a 57% reduction of post-consumer waste.



Patented.



NEW B-828 or B-8281 SureFlo Foam Automatic, Counter-Mounted Soap Dispensers

B-824 SureFlo Liquid Automatic, Counter-Mounted Soap Dispenser

How Much Will You Save?

Estimates based on one dispenser, comparing bulk-fill SureFlo to under-counter proprietary cartridges.*

- Cartridge soap approximate annual cost **\$223.24**
- Annual soap savings **82%**
- Post-consumer waste reduction **57%**

There are additional labor-saving factors such as top-filling compared to frequent under-counter cartridge changeovers. Plus, the time consuming convenience of bulk jug soap.

*Based on 35 people per sink at 4 hand washes per day, equating to 112ml of soap per day or 29.5L per year per sink. Bulk soap approximate annual cost \$41.01.

DESIGNER'S NOTE

SureFlo dispensers can be powered through an AC Adapter, supporting sustainable, economical operation. It requires no batteries, which ultimately end up in landfills.



DESIGNER SERIES SOAP DISPENSERS & FAUCETS

DURABLE CONSTRUCTION.
ELEGANT DESIGN.



Designer Series Automatic, Counter-Mounted Foam or Liquid Soap Dispensers & Faucets

Bobrick's Designer Series Automatic Soap Dispensers feature durable construction and designer finishes. All the benefits of the SureFlo B-824, but with the added durability of die-cast zinc body construction. Available in five designer finishes; available with an automatic faucet in a matching finish.



Patented.



B-848 Polished Chrome, Foam
B-858 Polished Chrome, Liquid
Matching Faucet: B-8878



B-846 Polished Nickel, Foam
B-856 Polished Nickel, Liquid
Matching Faucet: B-8876



B-840 Polished Brass, Foam
B-850 Polished Brass, Liquid
Matching Faucet: B-8870



B-845 Brushed Nickel, Foam
B-855 Brushed Nickel, Liquid
Matching Faucet: B-8875



B-842 Matte Black, Foam
B-852 Matte Black, Liquid
Matching Faucet: B-8872



Automatic Faucet

Available in matching finishes. Adjustable time-out durations, line purging, adaptable sensor range, LEED flow-rate options.

3974-57 AC Adapter comes standard with each dispenser.
824-201 Optional AC Multi-Adapter kit available.

Polished Chrome, Polished Nickel and Brushed Nickel are available on a standard order basis. Polished Brass and Matte Black have minimum quantity requirements and longer lead times. Please contact customer service for more information.

Designers Note:
New installation - Ensure mounting hole is 1-3/8" (35mm) in diameter. Refer to installation instruction with mounting template link below.
Existing/Retrofit - Ensure mounting hole is 1-3/8" (35mm) in diameter, if necessary, enlarge opening using appropriate hole saw. Refer to installation instruction with mounting template link below.



B-823 & B-822 MANUAL SOAP DISPENSERS

ENABLE SIGNIFICANT SOAP & LABOR SAVINGS



Features & Benefits

- **Labor Savings:** Top-fill convenience facilitates ease of maintenance. Saves 25% labor costs with no more bending under the counter to change cartridges.
- **Cost Savings:** Non-proprietary dispenser delivers substantial savings versus proprietary cartridges.
- **Sustainable:** Reduces post-consumer waste by 57%.
- **Design Continuity:** Chrome finish for fixture and accessory integration.
- **Secure:** Vandal-resistant locking cover and spout.



B-823



B-822



B-823 Series Manual Foam Soap Dispensers

Features ease of maintenance and labor savings. Vandal-resistant locking cover; corrosion-resistant, bright-polished stainless steel spout and cover; chrome-plated escutcheon; high-impact-resistant ABS body and shank; shatter-resistant polyethylene container.

Model No.	Capacity (fl. oz.)	Spout Length	Max. Mounting Thickness
B-823	34	4"	3"
B-8231	20	4"	3"
B-8236	34	6"	3"
B-82316	20	6"	3"



Patented.



B-822 Series Manual Liquid Soap Dispensers

Features ease of maintenance and labor savings. Vandal-resistant locking cover and free-turning spout; corrosion-resistant, bright-polished spout, cover and escutcheon; high-impact-resistant ABS body and shank; shatter-resistant polyethylene container.

Model No.	Capacity (fl. oz.)	Spout Length	Max. Mounting Thickness
B-822	34	4"	4"
B-8221	20	4"	1"
B-8226	34	6"	4"
B-82216	20	6"	1"





NEW

B-830 SUREFLO® SOAP DISPENSING SYSTEM

SERVICE FIVE DISPENSERS WITH ONE CARTRIDGE



Features & Benefits

- **Engineered for Busy Restrooms:** Designed for medium to heavy traffic restrooms. Serves up to 5 sinks with manual soap dispensers.
- **Sustainable:** 30% post-consumer waste reduction. Built-in reservoir eliminates soap waste and outages.
- **Easy Maintenance:** Front-access cabinet for one-minute changeovers. 13,000 liquid soap handwashes or 25,000 foam handwashes per single cartridge. Low soap indicator.
- **Durable Construction:** Under-counter cabinet Type-304 satin-finish stainless steel. Cabinet door secured to cabinet with a full-length stainless steel piano-hinge. Dispensers have internal swiveling design, rotate 360° without losing air-tight seal. 10" W, 15 ¼" H in front, 16 ½" H in rear, 18 ⅝" D. Lifetime hardware warranty with exclusive use of Bobrick SureFlo soap.



Patented.

NOTE: Maximum countertop mounting thickness 1 ¾"; for thicker countertops up to 4 ¾" order Bobrick Part Number 822-402. One kit required for every counter-mounted soap dispenser.

Compatible with Liquid & Foam Soap Dispensers

One B-830 cabinet per restroom services up to five B-822 or B-823 soap dispensers.

DESIGNER'S NOTE

How do you service 60,000 visitors per weekend without running out of soap—all while saving time and money and reducing waste? An iconic, high-traffic entertainment center in Seattle estimates five-figure future cost savings with the SureFlo Dispensing System. **Get the full story at bobrick.com.**

Foam System Cartridge



B-82512
12-liter Cartridge of Green Foam Soap

Liquid System Cartridges



B-81412
12-liter Cartridge of Green Lotion Soap



B-81312
12-liter Cartridge of Premium Gold Soap

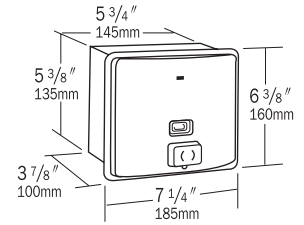


B-81212
12-liter Cartridge of Pink Lotion Soap



B-4112 ConturaSeries Surface-Mounted Soap Dispenser

Corrosion-resistant valve dispenses commercially marketed all-purpose hand soaps. Container is satin-finish stainless steel. Capacity: 40-fl oz. Soap refill window. Concealed wall fastening. Hinged filler-top requires special key to open. Vandal-resistant. Unit 7" W, 6 3/8" H; wall to push-button, 3 5/16".



B-4063 ConturaSeries Recessed Soap Dispenser

Dispenses all-purpose soaps. Drawn, 20-gauge, one-piece front, satin-finish stainless steel with vessel attached to back. Capacity: 50-fl oz. Pulls out for filling. Concealed locking device.



B-2111 ClassicSeries Surface-Mounted Soap Dispenser

Vertical tank is satin-finish stainless steel. Valve dispenses all-purpose hand soaps. Capacity: 40-fl oz. Soap refill window. Concealed wall fastening. Hinged filler-top requires special key to open. Vandal-resistant. Unit 4 3/4" W, 8 1/8" H; wall to push-button, 3 1/2".



B-2112 ClassicSeries Surface-Mounted Soap Dispenser

Horizontal tank is satin-finish stainless steel. Valve dispenses all-purpose hand soaps. Capacity: 40-fl oz. Soap refill window. Concealed wall fastening. Hinged filler-top requires special key to open. Vandal-resistant. Unit 8 1/8" W, 4 3/4" H; wall to push-button, 3 1/2".



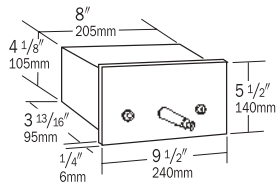
SOAP DISPENSERS WALL-MOUNTED



B-2013 Automatic Wall-Mounted Foam Soap Dispenser

Satin-finish stainless steel. Corrosion-resistant valve dispenses a variety of foaming soaps. Sensor-activated valve. Lockable housing. Capacity: 27-fl oz. Unit 4 1/4" W, 9 9/16" H, 4 7/32" D.

B-2012 Similar to B-2013, but dispenses a variety of liquid soaps and disinfectants. Valve is sensor-activated. Soap refill-indicator window. Housing is hinged for refilling and maintenance. Capacity: 30-fl oz. (850 ml). CE Certified. Unit 4 3/16" W, 9 9/16" H, 4 7/32" D.



B-306 TrimLineSeries Recessed Soap Dispenser

Satin-finish stainless steel. Door has 90° return, conceals flange. Door swings open for filling vessel on back. Hinge and tumbler lock secure door to cabinet. Capacity: 45-fl oz. Valve dispenses all-purpose soaps. Soap refill window.



NEW B-2000 Hand Sanitizer Dispenser Stand

Type-316 and Type-304 stainless steel with heliarc welded construction; exposed surfaces shall have satin finish. Front Plate is equipped with double sided tape to accommodate dispenser and should be assembled to back plate, which is secured to heliarc welded stand-construction. Base plate is equipped with four rubber-pads to prevent sliding on floor. Unit 10" W, 62 1/8" H, Base Plate 16".



B-26627 TrimLineSeries Surface-Mounted Foam Soap Dispenser

Satin-finish stainless steel. Accepts foam soap cartridges or bulk-fill soaps. Push activated with less than 5 lbs of force. Capacity: 17-fl oz. Concealed wall fastening. Hinged housing with key lock and soap refill window. Vandal-resistant. Unit 3 3/4" W, 11 3/4" H, 6" D.



SANITARY NAPKIN/TAMPON VENDORS

THE INDUSTRY'S LARGEST SELECTION

Bobrick offers the only fully ADA-compliant napkin/tampon vendors on the market, as well as a range of payment options to satisfy evolving expectations and legislation concerning access to free feminine hygiene products. **Are there laws in your area? Find out at bobrickacademy.com/freevend.**

Features & Benefits

- **Streamlined Maintenance:** Easy refilling; larger capacity can accommodate 30 tampons, 20 napkins.
- **Secure:** Two tumbler door locks keyed like other Bobrick accessories. Separately-keyed coin box lock for management access.
- **Green:** No battery or electricity required. Fabricated from 50-70% recycled stainless steel. Contributes to LEED credits.
- **Flexible:** Free, 25-cent and token-vend conversion kits are available.



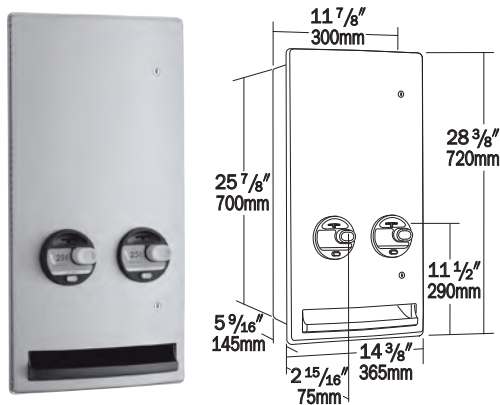
Patented.

DESIGNER'S NOTE

Only Bobrick offers indisputably ADA compliant sanitary napkin/tampon vendors. They operate easily with less than 5 lbs force, without tight grasping, pinching or twisting of the wrist; recessed and semi-recessed models also satisfy the ADA 4" protruding objects requirement.

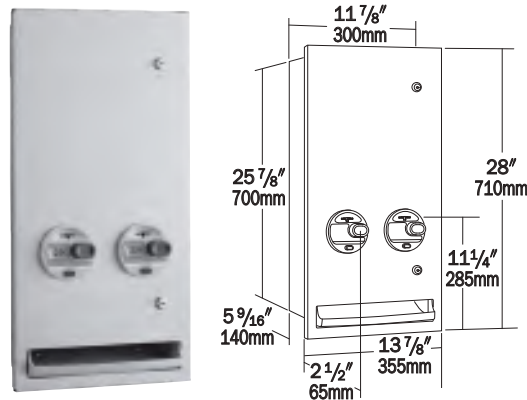
Coin Operation Options

For 25¢, add 25 to model number (e.g., B-4706 25.) For no-charge operation, add C to model number. For Token operation, add T to model number. Easy coinage conversion in the field.



ConturaSeries

- B-4706 Recessed
- B-47064 Semi-Recessed
- B-47069 Surface-Mounted



TrimLineSeries

- B-37063 Recessed
- B-370634 Semi-Recessed



ClassicSeries

- B-2706 Surface-Mounted
- B-3706 Recessed or Semi-Recessed

Explore Bobrick's extensive range of Sanitary Napkin/Tampon Vendors at bobrick.com.



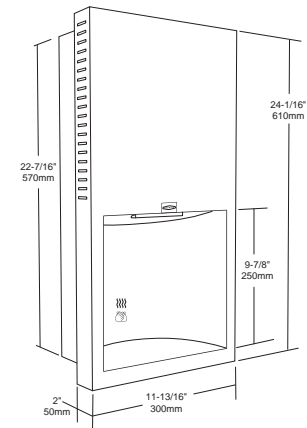
HAND DRYER INNOVATIONS

LOW-WATTAGE & LOW-PROFILE OPTIONS



B-3725 TrimLineSeries ADA Recessed Hand Dryer

Type-304 satin-finish, stainless steel recessed hand dryer with an extra deep alcove and low-profile contemporary design. Dryer operates at a mere 70 dBA and sustainable 1000 Watts of power. 115V AC, 8.5 Amp, 50/60 Hz, 1000 Watts, Single Phase, cULus Listed, or 208-240V AC, 4.0-4.4 Amp, 50/60 Hz, 1000 Watts, Single Phase, cULus Listed and CE marked. Patented.



B-7125 InstaDry Hand Dryer Surface-Mounted Automatic Hand Dryer

Contemporary design, ADA compliant satin-finish, stainless steel high-speed hand dryer. Delivers a less than 12-second dry time. Dryer is universal, 110V- 240V AC, 0.88-1.76 Amp, 50/60 Hz, 200 Watts, Single Phase, cULus Listed and CE marked.

DESIGNER'S NOTE

While the highly sustainable InstaDry hand dryer is ideal for high-traffic applications, such as transportation centers and stadiums, the Recessed Hand Dryer may be more appropriate for prestige facilities where design and noise are priorities.



B-7188 TerraDry™ ADA Surface-Mounted Hand Dryer

Bright-polished chrome-plated cast aluminum cover. Operates at a mere 70 dBA. Slim 100mm depth is compliant with accessibility standards. 115V AC, 8.5 Amp, 50/60 Hz, 1000 Watts, Single Phase, cULus Listed. 208-240V AC, 4.0-4.4 Amp, 50/60 Hz, 1000 Watts, Single Phase, cULus Listed and CE marked.

B-7180 Similar to B-7188, but with white gloss cover.



B-778 DuraDry™ Surface-Mounted Hand Dryer

Bright-polished, chrome-plated cast aluminum cover. Operates with high-velocity output at a mere 72 dBA. 115V AC, 12 Amp, 50/60 Hz, 1380 Watts, Single Phase, cULus Listed. 208-240V AC, 5.5-6.3 Amp, 50/60 Hz, 1380 Watts, Single Phase, cULus Listed and CE marked.

B-770 Similar to B-778, but with white epoxy cover.



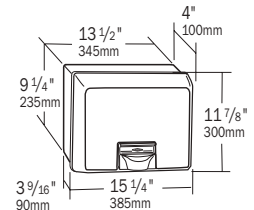
B-7128 TrimDry™ ADA Surface-Mounted Hand Dryer

Durable, 22-gauge Type-304 satin-finish stainless steel cover with black plastic trim. Automatic operation at 72 dBA with dual air outlets. 115V AC, 15 Amp, 1725 Watts, 50/60 Hz, cULus Listed, or 208-240V AC, 6.8-7.8 Amp, 1400-1900 Watts, 50/60 Hz, cULus Listed, VDE approved and CE marked.



B-750 AirCraft® ADA Recessed Hand Dryer

Durable, cast-iron with white vitreous enamel finish, automatic sensor, 115V AC, 20 Amp, 2300 Watts, 50/60 Hz, cULus Listed, or 208-240V AC, 9-10 Amp, 1900-2400 Watts, 50/60 Hz, cULus Listed, VDE approved and CE marked.



Sound Level Comparison of Bobrick's QuietDry™ Series with Brands X and D:

Brand	Bobrick QuietDry Series	Brand X	Brand D
Measured in Decibels (dBA)*	72 dBA	83 dBA	85 dBA

*TEST METHODOLOGY: Noise levels declared for all products are measured in a semi-reverberant laboratory settings with dryer mounted at the manufacturer's recommended height. Visit bobrick.com for additional test results.



B-164, B-167 & B-169 SERIES LED MIRRORS

REFLECT QUALITY, VALUE & STYLE

Bobrick's LED Mirror Collection combines high quality LEDs with commercial grade mirror construction to provide a product that reflects quality, value and style.

Features & Benefits

- 50,000 hours of estimated life
- Improved illumination and reduced shadowing with integrated dimming option
- Lead-free silver backing exceeds ISO 9227:2012, 120 hour corrosion testing
- Mirror and backside mounting frame are IP44 rated for damp applications
- Safety PVC membrane on back prevents small pieces from falling off in the event of a mirror breakage
- Includes hardware required for mounting
- Environmentally suitable and energy efficient



NEW

B-164 Backlit Series Standard Mirror Sizes

Model No.	Width	Height	Lumens
B-164 2436	24"	36"	2,500
B-164 2442	24"	42"	2,900



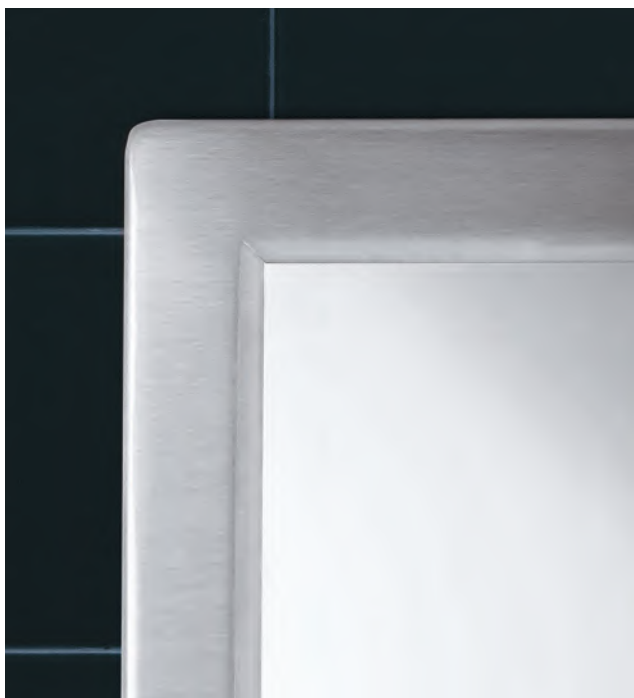
B-169 Sidelit Series Standard Mirror Sizes

Model No.	Width	Height	Lumens
B-169 2436	24"	36"	1,155
B-169 3040	30"	40"	1,340

B-167 Edgelit Series Standard Mirror Sizes

Mirrors can be installed vertically or horizontally

Model No.	Width	Height	Lumens
B-167 2436	23 ⁵ / ₈ "	35 ³ / ₈ "	2,195
B-167 2448	23 ⁵ / ₈ "	47 ³ / ₈ "	2,655
B-167 6642	64 ¹ / ₁₆ "	41 ⁵ / ₁₆ "	4,045



Patented.

B-290 Series Welded-Frame Mirrors

One-piece, roll-formed $\frac{3}{4}$ " x $\frac{3}{4}$ " angle-frame. Type-304 stainless steel angle with satin finish. Corners heliarc welded, ground and polished smooth. Beveled frame edge at mirror. No. 1 quality, $\frac{1}{4}$ " glass mirror; warranted against silver spoilage for 15 years. Galvanized steel back. Secured to concealed wall hanger with theft-resistant mounting.

Model No.	Width	Height
⚡ B-290 1830	18"	30"
⚡ B-290 1836	18"	36"
B-290 2430	24"	30"
⚡ B-290 2436	24"	36"
B-290 2448	24"	48"
B-290 2460	24"	60"
B-290 2472	24"	72"

Special Order Custom Sizes: Maximum size of one-piece mirror: 144" W x 72" H or 52" W x 144" H. For mirrors larger than maximum sizes specified, contact Bobrick Architectural Services for feasibility and pricing. To specify special sizes, use Series Number followed by width and height.



B-165 Series Channel-Frame Mirrors

One-piece, $\frac{1}{2}$ " x $\frac{1}{2}$ " x $\frac{3}{8}$ " channel-frame. Type-430 stainless steel with bright-polished finish. Mitered corners. No. 1 quality, $\frac{1}{4}$ " glass mirror; warranted against silver spoilage for 15 years. Galvanized steel back. Secured to concealed wall hanger with theft-resistant mounting.

Model No.	Width	Height
⚡ B-165 1824	18"	24"
⚡ B-165 1830	18"	30"
⚡ B-165 1836	18"	36"
⚡ B-165 2430	24"	30"
⚡ B-165 2436	24"	36"
B-165 2448	24"	48"
B-165 2460	24"	60"
B-165 4836	48"	36"

Special Order Custom Sizes: Maximum size mirror: 96" x 72" or 72" x 96". For mirrors larger than maximum sizes specified, contact Bobrick Architectural Services for feasibility and pricing. To specify special sizes, use Series Number followed by width and height.



MIRRORS



B-292 Series Welded-Frame Mirror/Shelf Combination

Same mirror as B-290 Series. Type-304 satin-finish stainless steel shelf. Shelf projects an additional 5" from the mirror, with a 3/4" return on front and sides; front return edge hemmed for rigidity and safety. Shelf corners heliarc welded, ground and polished smooth.

Model No.	Width	Height
B-292 1836	18"	36"

Special-Order Custom Sizes: Maximum frame size available: 96" x 72" or 72" x 96" with one piece of glass. Maximum size of shelf: 96" furnished as one piece. To specify special sizes, use Series Number followed by width and height.



B-166 Series Channel-Frame Mirror/Shelf Combination

Same mirror as B-165 Series. Type-304 satin-finish stainless steel shelf. Shelf projects 4" with 3/8" return on front and sides; front return edge hemmed for rigidity and safety.

Model No.	Width	Height
B-166 1824	18"	24"
B-166 1830	18"	30"
B-166 1836	18"	36"
B-166 2436	24"	36"

Special-Order Custom Sizes: Maximum size mirror: 60" x 48" or 48" x 60". Maximum shelf length: 60". To specify special sizes, use Series Number followed by width and height.



B-1556 Series Frameless Mirrors

Bright-polished #8 finish, Type-304 stainless steel. Mirror has 1/4" return concealing 1/4" tempered masonite backing. Furnished with four mounting screws.

Model No.	Width	Height
B-1556 1824	17 1/2"	23 1/2"
B-1556 1830	17 1/2"	29 1/2"
B-1556 2436	23 1/2"	35 1/2"



B-942 Frameless Mirror (Front Secured)

Mirror is 11 1/4" x 17 1/4" overall, 1/4" deep. 18-gauge, Type-430 stainless steel with bright-polished finish.



B-293 Series Fixed-Position Tilt Mirrors

Provides visibility for wheelchair users. Frame is Type-304 satin-finish stainless steel. Beveled edges of frame hug mirror, providing gapless fit. No. 1 quality, 1/4" glass mirror; warranted against silver spoilage for 15 years. Mirror projects 4" from wall at top and tapers to 1" at bottom. Patented.

Model No.	Width	Height
⚡ B-293 1830	18"	30"
⚡ B-293 1836	18"	36"
⚡ B-293 2436	24"	36"

Special Order Custom Sizes: Maximum size mirror: 48" x 36" or 40" x 40". To specify special sizes, use Series Number followed by width and height.

DESIGNER'S NOTE

Framed mirrors are manufactured to overall dimensions, as shown in all tables. Framed mirrors must be installed with width and height dimensions as ordered. Mirror back and wall hanger cannot be installed sideways to reverse width and height dimensions. Provide minimum 3/4" clearance at top of mirror for mounting on wall hanger and 1" clearance on each side.



B-294 Series Angle-Frame Two-Position Tilt Mirror

Tilt forward to provide full visibility for wheelchair users or return to upright position. Frame is 3/4" x 3/4", Type-304 satin-finish stainless steel angle. Beveled edges of frame hug mirror, providing gapless fit. No. 1 quality, 1/4" glass mirror; warranted against silver spoilage for 15 years. Top of mirror tilts 7" from wall with self-locking mechanisms; bottom of mirror mounts to wall with full-length stainless steel hinge.

Model No.	Width	Height
B-294 1830	18"	30"

Special Order Custom Sizes: Maximum size mirror: 24" x 36" or 36" x 24". To specify special sizes, use Series Number followed by width and height.

Special-Order Reflective Surfaces

Polished stainless steel, tempered and laminated glass mirrors resist breakage and provide safety from broken glass, but differ in color and reflective quality from standard glass mirrors. Modest distortion is normal and not a returnable condition. Available on special order.

POLISHED STAINLESS STEEL

B-1656 Series Mirrors (up to 60" x 36" or 36" x 60")
B-2906 Series Mirrors (up to 60" x 36" or 36" x 60")

TEMPERED GLASS

B-1658 Series Mirrors (up to 96" x 48" or 48" x 96")
B-2908 Series Mirrors (up to 115" x 48" or 48" x 115")

LAMINATED GLASS

B-1659 Series Mirrors (up to 84" x 48" or 48" x 84")
B-2909 Series Mirrors (up to 84" x 48" or 48" x 84")



TOILET COMPARTMENT ACCESSORIES



B-6806 Straight Grab Bar

Page 40



**B-3013
ClassicSeries Recessed
Seat Cover Dispenser**

Page 35



**B-544
Cubicle Collection
Toilet Brush**

Page 34



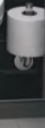
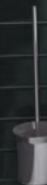
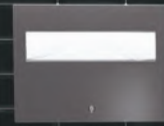
**B-3588
TrimLineSeries Surface-
Mounted Multi-Roll
Toilet Tissue Dispenser**

Page 32





B-35303
TrimLineSeries
Recessed Sanitary
Napkin Disposal
Page 39



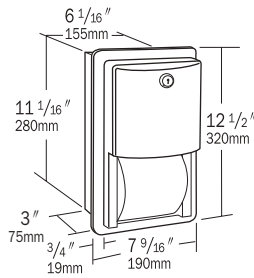
Products: B-542 Hook, B-544 Toilet Brush Holder,
B-541 Spare Roll Holder, B-546 Toilet Tissue
Dispenser, B-3013 Sanitary Waste Receptacle,
B-3541 Sanitary Waste Bag Dispenser



Commercial Office
Products: B-3092 Toilet Cubicle
Accessory, B-5806 Grab Bar



TOILET TISSUE DISPENSERS



B-4388 ConturaSeries Recessed Multi-Roll Recessed Toilet Tissue Dispenser

Satin-finish stainless steel unit and dispensing mechanism. Flush tumbler lock. Holds two rolls up to 5 1/4" diameter (1800 sheets). Extra roll drops when bottom roll is depleted. Theft-resistant, heavy-duty spindles.



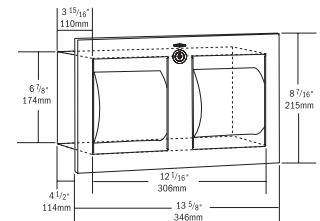
B-4288 ConturaSeries Surface-Mounted Multi-Roll Toilet Tissue Dispenser

Satin-finish stainless steel unit and dispensing mechanism. Flush tumbler lock. Holds two rolls up to 5 1/4" diameter (1800 sheets). Extra roll drops when bottom roll is depleted. Theft-resistant, heavy-duty spindles. Unit 6 1/8" W, 11" H, 5 15/16" D.



IMPROVED B-3588 TrimLineSeries Surface-Mounted Multi-Roll Toilet Tissue Dispenser

Satin-finish stainless steel unit and dispensing mechanism. Flush lock. Theft resistant. Holds two rolls up to 5 1/8" diameter (1500 sheets). Removable skirt for optional recessed mounting. Unit 13 1/16" W, 8 1/2" H, 4 5/8" D.



IMPROVED B-35883 TrimLineSeries Recessed Multi-Roll Toilet Tissue Dispenser

Satin-finish stainless steel unit and dispensing mechanism. Flush lock. Unit is theft resistant and equipped with a tumbler lock. Holds two rolls up to 5 1/8" diameter (1500 sheets).



B-2888 ClassicSeries Surface-Mounted Multi-Roll Toilet Tissue Dispenser

Satin-finish stainless steel unit and dispensing mechanism. Tumbler lock. Holds two rolls up to 5 1/4" diameter (1800 sheets). Extra roll drops when bottom roll is depleted. Theft-resistant, heavy-duty spindles. Unit 6 1/8" W, 11" H, 5 15/16" D. Patented.

B-3888 Similar to B-2888, but for recessed installation.



B-2840 Surface-Mounted Toilet Tissue Dispenser with Utility Shelf

Satin-finish stainless steel. Shelf has 1/2" returns, hemmed front edge. Chrome-plated plastic spindles hold rolls up to 5 1/2" diameter (1800 sheets). Unit 16" W, 4" H, 5" D. Theft-Resistant Spindle (Part No. 283-604) available as an option.



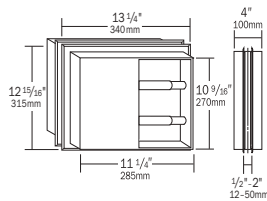
B-2890 Single Jumbo-Roll Surface Mounted Toilet Tissue Dispenser

Satin-finish Type-304 stainless steel. Equipped with tumbler lock. Spindle holds one 10" diameter roll with 1 5/8" diameter core. Convertible for 2 1/8" and 1 5/8" diameter core rolls. Powder-coated mounting plate. Slot reveals tissue supply. Unit 10 5/8" W, 10 5/8" H, 4 1/2" D.



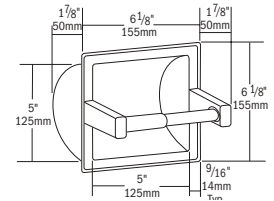
B-2892 Surface-Mounted Twin Jumbo-Roll Toilet Tissue Dispenser

Satin-finish stainless steel unit with tumbler lock. Holds two 10" diameter rolls with 2 1/4" diameter core; convertible for 3" diameter core rolls. Sliding panel exposes one roll at a time, allows easy roll changeover. Wide viewing slot in door. Quick reloading. Unit 20 13/16" W, 11 3/8" H, 5 5/16" D.



B-386 Partition-Mounted Multi-Roll Toilet Tissue Dispenser (Serves 2 Compartments)

Satin-finish stainless steel. Mounts centered through toilet partitions, 1/2" - 2" thick; used from both sides. Holds four standard core toilet tissue rolls up to 5 1/4" diameter; two for each side. Theft-Resistant Spindle (Part No. 283-604) available as an option.



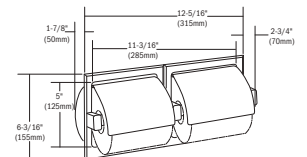
B-667 Recessed Toilet Tissue Dispenser

Bright-polished stainless steel. Chrome-plated plastic spindle holds roll up to 5 1/8" diameter (1500 sheets).



B-685 Surface-Mounted Toilet Tissue Dispenser for Single Roll

Bright-polished stainless steel. Support-arm flanges lock to concealed stainless steel wall plates. Chrome-plated plastic spindle holds rolls up to 5 1/2" diameter (1800 sheets). Unit 7 1/4" W, 2" H; projects 3 1/8" from wall.



B-699 Recessed Toilet Tissue Dispensers

Bright-polished stainless steel. Hoods protect paper. Chrome-plated plastic spindles hold rolls up to 5 1/8" diameter (1500 sheets).



CUBICLE COLLECTION

ADD COORDINATED ELEGANCE TO ANY CUBICLE



Convenience & Style for Cubicle Interiors

Featuring contemporary styling, all Cubicle Collection models share common elements such as satin-finish stainless steel threaded escutcheons and post diameters.



B-540
Surface-Mounted
Toilet Tissue
Dispenser &
Utility Shelf



B-541
Spare Toilet
Roll Holder



B-542
Coat Hook



B-543
Surface-Mounted
Toilet Tissue
Dispenser for
Single Roll



B-544
Toilet Brush Holder



B-546
Toilet Tissue
Dispenser with Hood



B-547
Double Toilet Tissue
Dispenser



B-548
Double Toilet Tissue
Dispenser with Hoods

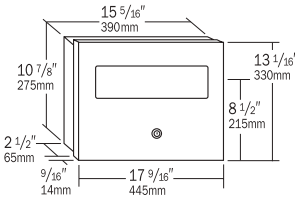


B-549
Double Coat Hook



B-4221 ConturaSeries Surface-Mounted Seat Cover Dispenser

Satin-finish stainless steel. Dispenses 250 single- or half-fold toilet seat covers. Allow 5" minimum clearance from bottom of dispenser to top of any horizontal projection for filling dispenser from bottom of unit. Unit 15 3/4" W, 11 1/4" H, 2 1/16" D.



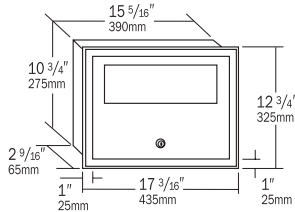
IMPROVED B-3013 TrimLineSeries Recessed Seat Cover Dispenser

Satin-finish stainless steel. Flush lock. Door has 90° return, conceals flange. Dispenses 500 toilet seat covers. Tumbler lock for theft-resistance.



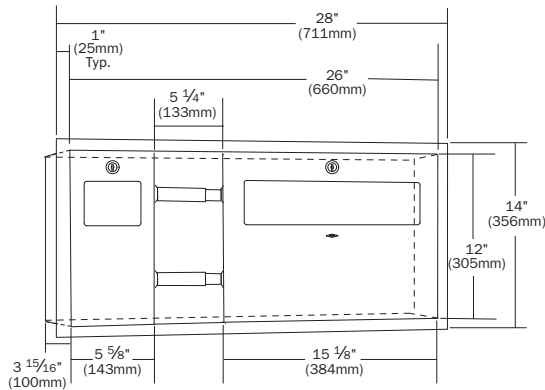
B-221 ClassicSeries Surface-Mounted Seat Cover Dispenser

Satin-finish stainless steel. Dispenses 250 single- or half-fold toilet seat covers. Allow 5" minimum clearance from bottom of dispenser to top of any horizontal projection for filling dispenser from bottom of unit. Unit 15 3/4" W, 11" H, 2" D.



B-301 ClassicSeries Recessed Seat Cover Dispenser

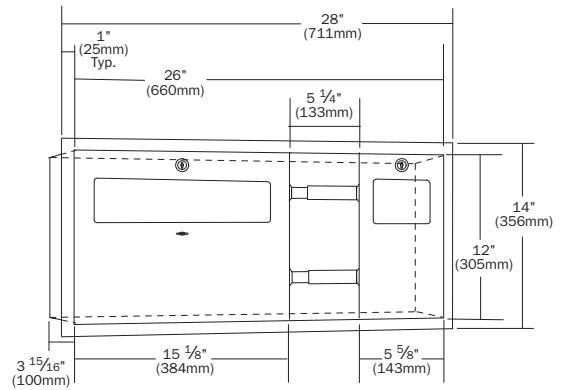
Satin-finish stainless steel. Seamless beveled flange. Dispenses 500 toilet seat covers. Tumbler lock for theft-resistance.



B-3091 ClassicSeries Recessed Toilet Tissue, Seat Cover Dispenser and Waste Disposal

Satin-finish stainless steel. Mounts flush against side wall in accessible toilet compartment to allow clearance for grab bar above unit with toilet tissue dispenser on left side. Holds 500 toilet seat covers and two rolls of tissue. Capacity: 0.4-gal. Patent pending.

B-30919 Similar to B-3091, but with stainless steel skirt for surface-mounting.



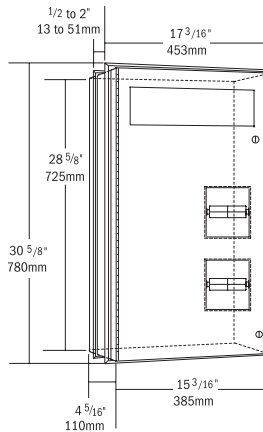
B-3092 ClassicSeries Recessed Toilet Tissue, Seat Cover Dispenser and Waste Disposal

Satin-finish stainless steel. Mounts flush against side wall in accessible toilet compartment to allow clearance for grab bar above unit with toilet tissue dispenser on right side. Holds 500 toilet seat covers and two rolls of tissue. Capacity: 0.4-gal. Patent pending.

B-30929 Similar to B-3092, but with stainless steel skirt for surface-mounting.

DESIGNER'S NOTE

These new recessed combination units are designed to be installed 1 1/2" minimum below a horizontal side grab bar in Wheelchair Accessible and Ambulatory Accessible Toilet Compartments. The units do not reduce the required 1 1/2" grab bar wall spacing. This complies with 2010 ADA as well as 2009 and 2017 ICC A117.1 standards. Additionally, providing a disposal on the side wall adjacent to the toilet tissue dispenser and in front of the rear wall of compartment/room complies with 2019 California Building Code, Section 11B-604.7.



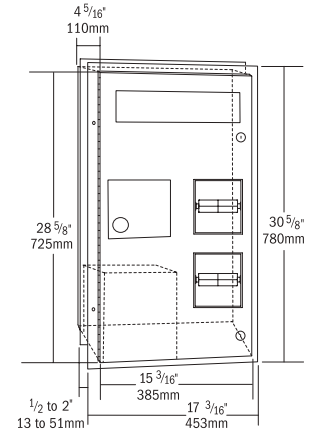
B-347 ClassicSeries Partition-Mounted Seat Cover Dispenser and Toilet Tissue Dispenser

Mounts centered through toilet partition. Used from both sides, serviced from one side. Holds 250 toilet seat covers and two rolls of tissue for each compartment. Theft-resistant spindles.

B-3474 Similar to B-347, but for recessed installation in side wall of single compartment. Unit mounts on left side of toilet (when seated) with tissue dispensers on right side. Holds 250 toilet seat covers and two rolls of tissue.

B-34745 Similar to B-3474. Unit mounts on right side of toilet (when seated) with tissue dispensers on the left side.

B-3479 Similar to B-3474, but with stainless steel skirt for surface-mounting.



B-357 ClassicSeries Partition-Mounted Seat Cover Dispenser, Sanitary Napkin Disposal and Toilet Tissue Dispenser

Mounts centered through toilet partition. Used from both sides, serviced from one side. Capacity: 0.8-gal. Holds 250 toilet seat covers and two rolls of tissue for each compartment. Theft-resistant spindles.

B-3574 Similar to B-357, but for recessed installation in side wall of single compartment. Unit mounts on left side of toilet (when seated) with tissue dispensers on right side.

B-35745 Similar to B-357, but recessed installation in side wall of single compartment. Unit mounts on right side of toilet (when seated) with tissue dispensers on the left side.

B-3579 Similar to B-357, but with stainless steel skirt for surface mounting. Unit mounts on left side of toilet (when seated) with tissue dispenser on the right side.

DESIGNER'S NOTE

Partition-mounted models B-347, B-3471, B-34715, B-357, B-3571 and B-35715 mount through partitions 1/2" to 2" thick, serving two compartments. Toilet tissue dispensers hold 5 1/4" diameter, 1800-sheet rolls. Theft-resistant spindles included. In an Accessible Toilet Compartment, the unit's location in the adjoining toilet compartment must permit the unit's complete operation, allowing its door to swing clear of toilet when servicing.

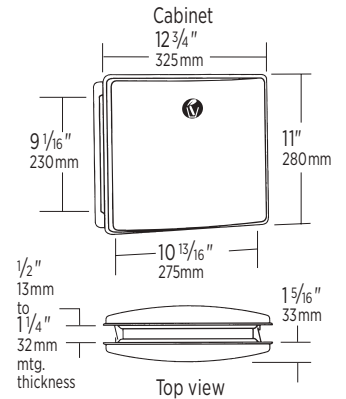


SANITARY NAPKIN DISPOSALS



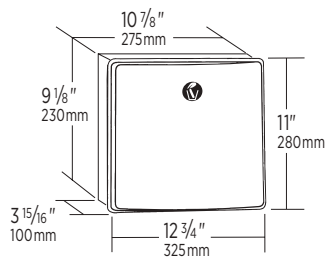
B-270 ConturaSeries Surface-Mounted Sanitary Napkin Disposal

Satin-finish stainless steel. Cover is drawn, one-piece construction; secured to cabinet with full-length stainless steel piano-hinge. Capacity: 1-gal. Unit 7 1/2" W, 10" H, 3 1/16" D.



B-4354 ConturaSeries Partition-Mounted Sanitary Napkin Disposal

Satin-finish stainless steel. Mounts in toilet partition 1/2 - 1 1/4" thick. Self-closing doors pull down with less than 5 lbs of force for access to disposal. Removable, leak-proof, 0.7-gal plastic receptacle.



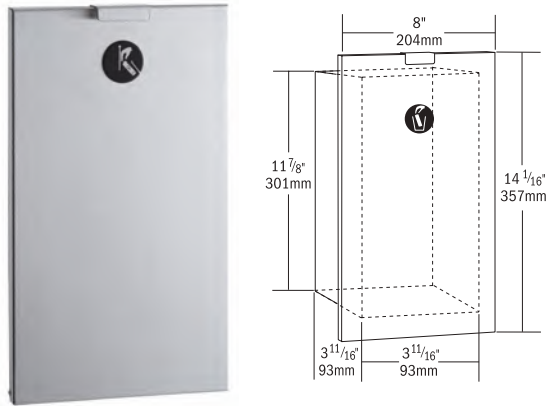
B-4353 ConturaSeries Recessed Sanitary Napkin Disposal

Satin-finish stainless steel. Self-closing door pulls down for access to disposal. Furnished with removable, leak-proof, 1.2-gal plastic receptacle.



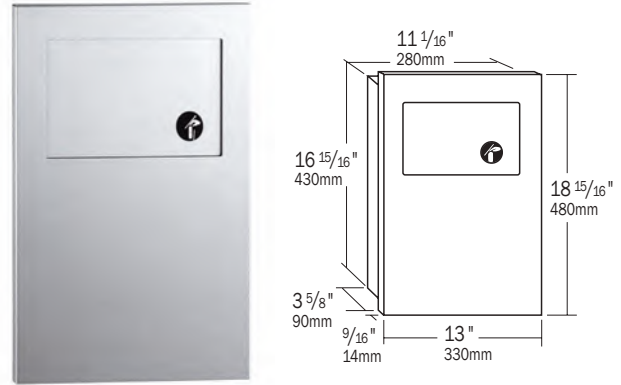
B-35139 TrimLineSeries Surface-Mounted Sanitary Napkin Disposal

Satin-finish stainless steel. Door secures to cabinet with a magnet catch and cable door-swing limiter. Removable, 0.6-gal waste receptacle. Skirt is removable in the field for optional recessed mounting. Unit 8 1/16" W, 14 1/8" H, 4 1/2" D.



B-3513 TrimLineSeries Recessed Sanitary Napkin Disposal

Satin-finish stainless steel. Door secures to cabinet with a magnet catch and cable door-swing limiter. Removable, 0.6-gal waste receptacle.



B-35303 TrimLineSeries Recessed Sanitary Napkin Disposal

Satin-finish stainless steel. Door has 90° return, conceals flange. Self-closing panel covers disposal opening. Removable, leak-proof, 1.2-gal plastic receptacle.



B-254 ClassicSeries Surface-Mounted Sanitary Napkin Disposal

Satin-finish stainless steel. Door has tumbler lock. Self-closing panel covers disposal opening. Removable, leak-proof, 1.2-gal plastic receptacle. Unit 10 1/16" W, 15 1/8" H, 4 1/16" D.



B-354 ClassicSeries Partition-Mounted Sanitary Napkin Disposal

Satin-finish stainless steel. Mounts in partitions 1/2 - 1 1/4" thick. Self-closing panels cover openings. Removable, leak-proof, 1.2-gal plastic receptacle.



GRAB BARS



B-5806 Series & B-6806 Series Straight Grab Bars

Constructed of 18-gauge, Type-304 satin-finish stainless steel with slip-resistant surface. Cover snaps over mounting flange to conceal screws. For a complete list of standard grab bar sizes, visit bobrick.com

Standard Length	1 1/4" Diameter	1 1/2" Diameter
12"	N/A	B-6806 x 12
18"	B-5806 x 18	B-6806 x 18
24"	B-5806 x 24	B-6806 x 24
30"	B-5806 x 30	B-6806 x 30
36"	B-5806 x 36	B-6806 x 36
42"	B-5806 x 42	B-6806 x 42
48"	B-5806 x 48	B-6806 x 48



B-4998 1 1/4" Diameter Swing Up Grab Bar

29" L, 1 1/4" diameter. Patented.

B-4998 Satin-Finish slip-resistant surface.



251-4 WingIt™ Grab Bar Fastener

For 2 1/2" and 3 1/2" or deeper hollow walls with finished wall surfaces 1/4" to 1 1/2" thick. One fastener required for each flange. Corrosion-resistant stainless steel. Install grab bars without backing. The fastener will support 300 lbs load.

WingIt™ is a trademark of WingIt Innovations, LLC.

DESIGNER'S NOTE

New research shows that satin-finish grab bar surfaces can provide 10% more traction than peened-finish grab bars when grabbed with wet hands. While previously, the National Building Code of Canada (NBC) required "peened" or "knurled finishes" in "wet" areas in healthcare facilities, the code has been revised to require "slip-resistant" finishes in such applications. For peened finish on any Bobrick grab bar, add .99 to the model number (e.g., B-5806.99 x 18).



B-5898 & B-6898

90-Degree Grab Bars

30" W x 30" H. 18-gauge, Type-304 satin-finish stainless steel.

Model No.	Diameter	Finish
B-5898	1 1/4"	Slip-Resistant
B-6898.99	1 1/2"	Peened

Safety Warnings

Grab bars are no stronger than the anchors and walls to which they are attached and, therefore, must be firmly secured to support intended loads. To avoid potential injury, the building owner or maintenance personnel should remove the grab bar if it is not adequately secured to wall or if there is any observed damage to welds.



B-58616 & B-68616 Two-Wall Tub/Shower Compartment Grab Bars

24" W x 36" D. 18-gauge, Type-304 stainless steel with satin-finish, slip-resistant surface.

Model No.	Diameter
B-58616	1 1/4"
B-68616	1 1/2"

DESIGNER'S NOTE

Bobrick offers a range of educational resources related to ADA compliance, from videos to our Planning Guide for Accessible Restrooms and Continuing Education course. **Visit the ADA Compliance Education section of bobrick.com for more information.**



SPECIALTY ACCESSORIES



B-398
Recessed Medicine Cabinet
Page 44



B-4112
ConturaSeries
Surface-Mounted Soap Dispenser
Page 21



B-221216 **Foot-Operated Waste Receptacle**
Page 15



B-4998
1 1/4" Diameter
Swing Up Grab Bar
Page 40





**B-918116R
Bariatric Folding
Shower Seats
with Legs**

Page 46



Assisted Living Room

Products: B-398 Medicine Cabinet, B-49916 Grab Bar, B-5116 Hook, B-580616 Grab Bar, B-2716 Toilet Paper Dispenser

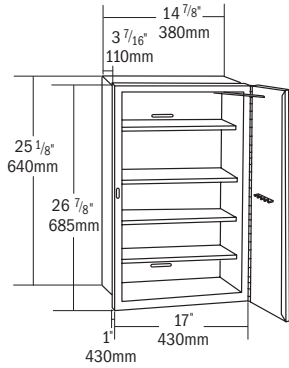


Medical Office

Products: B-221216 Trash Can, B-26212 Paper Towel Dispenser, B-165 Mirror, B-2111 Soap Dispenser, B-7816 Charting Shelf



BATHROOM ACCESSORIES



B-398 Recessed Medicine Cabinet

Type-304 satin-finish stainless steel. Mirror: No. 1 quality, 1/4" glass electrolytically copper-plated. 15-year warranted against silver spoilage. Door has full-length stainless steel piano-hinge, magnetic catch and cable doorstop. Four adjustable stainless steel shelves. Cabinet may be inverted for right- or left-hand door swing.



B-8397 Surface-Mounted Tissue Dispenser

Dispenses one pack of 100 two-ply facial tissues. Cabinet Type-304 satin-finish stainless steel. Equipped with concealed locking device; opens with key provided. Concealed wall plate is 22-gauge, Type-304 stainless steel. Unit 10 1/4" W, 5 3/16" H, 2 1/4" D.



B-683 Surface-Mounted Toiletry Shelf

Bright-polished stainless steel. 24" length. Shelf 4 3/4" wide, projects 5 3/4" from wall. Edges are roll-formed for safety.



B-297 Surface-Mounted Medicine Cabinet

All-steel cabinet and two fixed shelves with baked white enamel finish. Mirror: No. 1 quality, 1/8" glass electrolytically copper-plated. 15-year warranted against silver spoilage. Door has enameled steel piano-hinge and magnetic catch. Door is 14 1/8" W, 20 1/4" H. Unit 3 3/4" D.



B-676 Surface-Mounted Towel Shelf/Towel Bar

Bright-polished stainless steel. Shelf 6 1/4" wide, four 5/16" square tubes. 5/16" square towel bar below shelf. 24" length. Projects 8 1/2" from wall.



B-674 Surface-Mounted Towel Bar

Bright-polished stainless steel. Round 3/4" diameter towel bar. Available in 18" and 24" lengths. Projects 3 1/4" from wall.



B-530 Extra-Heavy-Duty Surface-Mounted Towel Bar

Satin-finish stainless steel, 18-gauge, 1" diameter bar with snap-flange mounting. Withstands 900 lbs downward pull when properly installed. Available in 18" and 24" lengths.



B-545 Surface-Mounted Towel Bar

Satin-finish stainless steel. Threaded escutcheon conceals mounting plate, provides snug fit to the wall. Available in 18" and 24" lengths. Projects 3 3/4" from wall.



B-673 Surface-Mounted Towel Bar

Bright-polished stainless steel. 3/4" square towel bar. Available in 18" and 24" lengths. Projects 3 1/4" from wall.



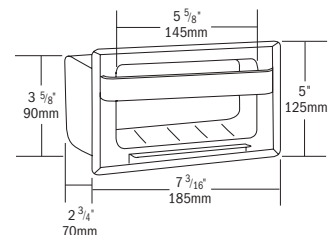
B-4207 Curved Shower Rod

1" diameter rod is 20-gauge satin-finish stainless steel. Swivel brackets are chrome-plated zinc die cast construction with exposed surfaces in architectural satin finish. Maximum 55° swivel rotation. Available in 60" or 72" lengths.



B-687 Surface-Mounted Door Bumper

Bright-polished stainless steel. Flange is 2" x 2". Black nylon post with black neoprene bumper. Projects 2 1/8" from wall.



B-4390 Recessed Heavy-Duty Soap Dish & Bar

Type-304 stainless steel, matte polished finish. Mounting clamp for stud walls. Unit 7 3/16" W, 5" H.

B-4380 Similar to B-4390, but without bar.



B-207 Shower Curtain Rod with Concealed Mounting

1" diameter rod is 20-gauge, Type-304 satin-finish stainless steel. 1 3/8" diameter flanges are chrome-plated plastic, bright-polished finish; mount on concealed wall brackets. Available in 36", 48", 60", 72" lengths.



204-2 Vinyl Shower Curtain

Opaque, matte white vinyl, 0.008" thick, contains antibacterial and flame-retardant agents. Nickel-plated brass grommets along top, one every 6". Bottom and sides are hemmed. Curtain 42" W, 72" H. Requires 7 hooks (not included).

204-1 Shower Curtain Hook Type-304 stainless steel for use on 1" and 1 1/4" diameter shower curtain rods.



B-5181 Reversible Folding Shower Seat

ADA-compliant reversible wall-mounted solid phenolic seat. When properly installed supports up to maximum static load of 360 lbs. Total weight on seat must not exceed 360 lbs. Seat available in other colors on special order. See Bobrick Compact Laminate Color Guide. Frame and mounting bracket are Type-304 stainless steel. Seat 33" W, projects 22 5/16" from wall. Left-hand seat shown.



B-5191 Folding Shower/Dressing Area Seat

Complies with ADA Accessible Design Guidelines. Compact design. Seat is constructed of durable, water-resistant, ivory-colored, 5/16" thick solid phenolic. Frame and mounting bracket are Type-304 stainless steel and feature self-locking mechanism. Seat 18" W, projects 15 13/16" from wall. When properly installed supports up to maximum static load of 500 lbs. Total weight on seat must not exceed 500 lbs.



B-517 Folding Shower Seat

Complies with ADA Accessible Design Guidelines. Foam-padded, white, water-resistant Naugahyde seat 1 1/2" thick, with enclosed 1/2" plywood base. Seat 32 7/8" W, projects 22 1/16" from wall. Left-hand seat shown. When properly installed supports up to maximum static load of 360 lbs. Total weight on seat must not exceed 360 lbs.

B-518 Similar to B-517, with right-hand seat.



B-918116L & B-918116R Series Bariatric Folding Shower Seats with Legs

ADA-compliant wall-mounted solid phenolic, foot-supported. When properly installed supports up to maximum static load of 1102 lbs. Total weight on seat must not exceed 1102 lbs. Seat 31 1/2" W, projects 22 5/8" from wall. Frame and swing-down legs are 1 1/4" zinc-plated vinyl-coated tubing.



NEW

B-635 KLUTCH MOBILE DEVICE HOLDER

KEEPS MOBILE DEVICES SAFE & SECURE



Klutch provides a safe place to store smartphones, tablets, laptops and more.

Convenience Throughout the Restroom

Bobrick's new B-635 Klutch is a modern, unique and practical solution for storing mobile devices anywhere in the restroom, including inside toilet partitions and cubicles.

Features & Benefits

- **Convenient Design:** Sleek, compact design "klutches" mobile devices for safety and fits with any décor.
- **Easy Installation:** Easily installed in toilet compartments, common spaces or private areas where storage is desired.
- **Versatile:** Integrated bag hook holds up to 300 lbs and can accommodate multiple items.
- **ADA Compliant:** Requires no grasping or twisting to use.

Grand Prize Winner
Product Innovations 2019
Presented by *BUILDINGS*



Winner
Product Innovation Awards 2019
Presented by *Architectural Products*



See it in Action!

Scan the QR code below to watch the product video.





B-6827 Hat and Coat Hook

Satin-finish stainless steel. Flange is 2" x 2". Hook 1" W, 6 1/2" H; projects 3 1/8" from wall. Concealed wall plate.



B-287 Folding Utility Shelf

Easily installed on toilet partition or wall. Type-304 satin-finish stainless steel. Pull-down shelf returns to upright position when not in use. Supports 100 lbs when properly installed. Shelf 14 1/2" L, 5 3/4" W.



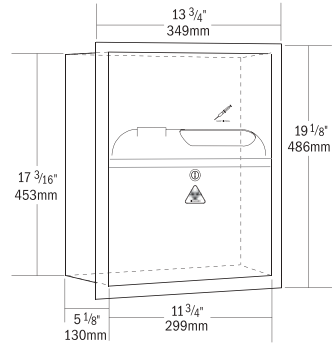
B-239 Shelf with Mop/Broom Holders & Hook

Shelf is 18-gauge, Type-304 satin-finish stainless steel; 34" L, 13" H, 8" D. Three anti-slip mop holders have spring-loaded rubber cams that grip handles 7/8" to 1 1/4" diameter. Four stainless steel hooks.



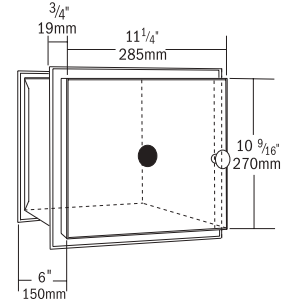
B-224 Shelf with Mop/Broom Holders & Rag Hooks

Shelf is 18 gauge, Type-304 satin-finish stainless steel; 36" L, 6" H, 8" D. Four anti-slip mop holders have spring-loaded rubber cams that grip handles 7/8" to 1 1/4" diameter. Holds mops 8" from wall. Three stainless steel rag hooks. Rod for wet rags below shelf.



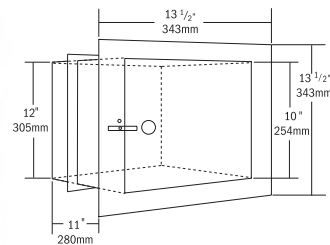
B-35016 Recessed Sharp Disposal

Satin-finish stainless steel. Door equipped with full-length stainless steel piano-hinge at bottom; swings down for easy replacement of sharps container. Holds BD brand Sharps Collector, 5.4 Qt, part number 305443.



B-505 Recessed Specimen Pass-Through Cabinet

Satin-finish stainless steel. Provides convenient passage for specimen from patient area to laboratory. Self-closing doors. Interlocking mechanism prevents both doors from being open at the same time; provides sight barrier. Removable stainless steel tray.



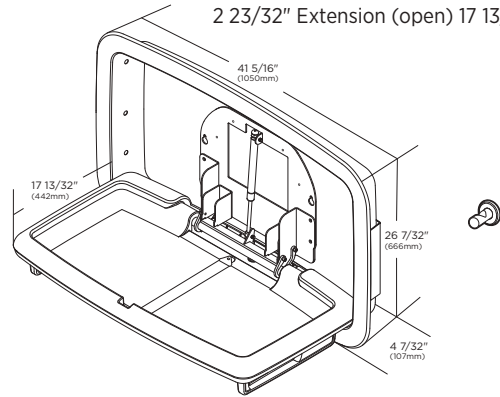
B-50517 Recessed Heavy Duty Specimen Pass-Through Cabinet

Satin-finish stainless steel. Provides convenient passage for specimen from patient area to laboratory. Self-closing doors. Interlocking mechanism prevents both doors from being open at the same time; provides sight barrier. Removable stainless steel tray.



B-7816 Charting Station/Shelf

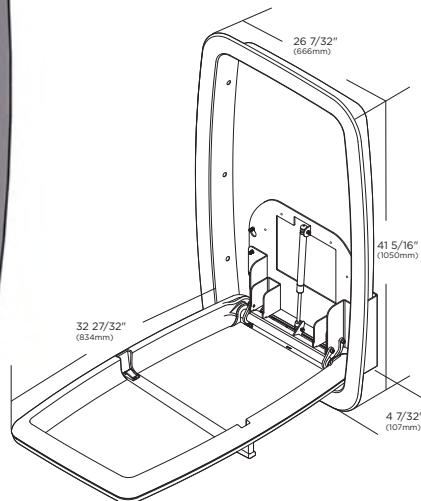
Satin-finish stainless steel. Pull-down shelf/charting station 22" W, 15" D in extended position; 1 $\frac{3}{8}''$ D in retracted position.



NEW KB310-SSRE

Horizontal Stainless Steel Recessed-Mounted Baby Changing Station

ADA compliant, deep-drawn, uniform grain stainless steel components. Molded gray color polypropylene changing surface. External stainless bag hook. 41 5/16" W x 26 7/32" H. Depth (closed) 2 23/32" Extension (open) 17 13/32".



NEW KB111-SSRE Vertical, Recessed-Mounted Baby Changing Station

ADA compliant, deep-drawn, uniform grain stainless steel components. Molded gray color polypropylene changing surface. External stainless bag hook. 26 7/32" W x 41 5/16" H. Depth (closed) 2 23/32" Extension (open) 32 27/32"

DESIGNER'S NOTE

According to third-party research, 73% of parents are more likely to visit businesses with baby changing stations. For additional insights on generating loyalty through family friendly accommodation, visit koalabear.com/loyalty.



KB200-00

Horizontal, Wall-Mounted Baby Changing Station

Cream color polypropylene cabinet and bed. Unit 35 3/16" W, 22 1/4" H. Depth (closed) 4". Extension (open) 23 3/16".



KB200-SS

Horizontal, Wall-Mounted Baby Changing Station with Stainless Steel Veneer

Polypropylene cabinet and bed with 22-gauge, Type-304 brushed stainless steel veneer. Unit 35 3/16" W, 22 1/4" H. Depth (closed) 4". Extension (open) 23 3/16".



KB101-00

Vertical, Wall-Mounted Baby Changing Station

Cream color polyethylene cabinet and bed. Unit 22" W, 35 1/2" H. Depth (closed) 5 1/4". Extension (open) 35".

DESIGNER'S NOTES

- All Baby Changing Station models equipped with built-in Sanitary Bed Liner Dispensers (liners sold separately, Part No. KB150-99).
- Microban® antibacterial product protection, a Koala Baby Changing Station exclusive, helps keep stations cleaner between cleanings.



WHY BOBRICK?

PORTFOLIO OF VALUES

BOBRICK

Architects, developers and facility managers have selected Bobrick's performance-engineered restroom accessories with confidence for over a century. As the market leader, we deliver building owner value through design excellence compliance, sustainability and economical cost-in-use.

DESIGN

Three design-integrated series of accessories include ConturaSeries® for prestige properties, TrimLineSeries™ for upscale buildings and ClassicSeries® for standard use and heavy-traffic projects. From Class-A to education and healthcare, recessed and surface-mounted, we have your design.

COMPLIANT

Our products are engineered to meet the latest accessibility requirements including wall protrusion, mounting heights, reach and operation. Bobrick also provides detailed consultation on compliant product selection and installation. Bobrick/Koala meets ADA-ABA, ICC/ANSI, ASTM, EN.

HYGIENIC

Bobrick is at the forefront of the touch-free commercial restroom with automatic models to limit cross contamination. Our stainless products are easy to maintain and sanitize through regular cleaning. Microban® Antimicrobial protection is a Koala® baby changing station exclusive.

SUSTAINABLE

Accessories fabricated of 50%-70% post-industrial stainless steel contribute toward LEED certification. Soap and towel dispensers are engineered to reduce consumables usage, eliminating the need for proprietary towels and soap cartridges, thereby reducing the operating footprint of a given building.

DURABLE

Robust engineering and built-in maintainability are the standards for Bobrick restroom accessories and Koala products, providing life-of-the-building functionality with appropriate maintenance. Reduced repair and replacement costs also deliver a positive impact on the operating budget.

ECONOMICAL

Cost-in-use savings are also trademarks of Bobrick restroom accessories. Products are designed to control soap and paper towel usage, reduce labor and maintenance expense, and to be vandal-resistant. Savings calculators, available online, confirm the substantial savings and return on investment.

FREEDOM

Non-proprietary dispensing of universal paper towels and bulk soap help building owners escape the high prices of consumables contracts common to closed system products. This facilitates open-market procurement and the ability to take advantage of a large variety of soap and towel options.

THE BOBRICK ADVANTAGE

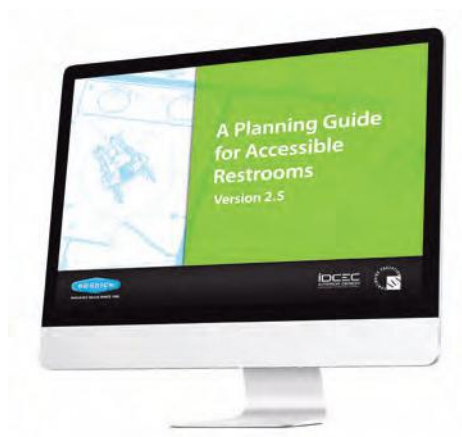
THE PRODUCTS, SUPPORT & EXPERTISE YOU NEED

INDISPENSIBLE INSIGHT

Your Bobrick architectural representative is your source for indispensable restroom design and compliance expertise, as well as logistics support. [Find your region's representative at bobrick.com.](#)

ADA COMPLIANCE SUPPORT

Bobrick is proud to serve as an agnostic provider of accurate, up-to-date compliance information. Resources include the Planning Guide for Accessible Restrooms (PDF) guide and accredited AIA/HSW Continuing Education course.



AUTHENTICALLY SUSTAINABLE

Sustainable operation is closely associated with economical operation, providing design professionals with opportunities to support their clients' long-term business goals. [To learn more, register for our AIA/HSW Continuing Education course, "Designing Restrooms for Sustainable Operation."](#)

GLOBAL SPECIFICATIONS PROGRAM

Bobrick empowers its architectural representatives to assist architects specifying global projects through job-site support, international shipping, customs clearance and final installation. [Learn more at bobrick.com.](#)

A LEADER IN PARTITIONS & CUBICLES

Bobrick has expanded its selection to include a full line of both toilet partitions and cubicles. Explore traditional partition systems and options at [bobrick.com](#). For a high-end design solution, explore PRIVADA® Cubicles at [privadacubicles.com](#) and Thrislington Cubicles at [thrislingtoncubicles.com](#).





BUILDING VALUE SINCE 1906

Bobrick.com

U.S. Corporate Office	818.982.9600	customerservice@bobrick.com
Canadian Offices	877.423.6555 Eastern Canada	customerservice@bobrick.com
	877.423.6444 Western Canada	
International Customer Service	+1.818.764.1000	international@bobrick.com
UK & Europe	+44 (0)20 8366 1771	uksales@bobrick.com
GAMCO Commercial Restroom Accessories A Division of Bobrick	818.982.9600	customerservice@bobrick.com
Koala Kare Products A Division of Bobrick	888.733.3456	customerservice@koalabear.com
Thrislington Cubicles A Division of Bobrick	+44 (0)12 4452 0677	sales@thrislington-us.com

Illustrations and descriptions herein are applicable to production as of the date of this catalog. The manufacturer reserves the right to, and does from time to time, make changes and improvements in designs and dimensions.

For product warranty information, including warranty conditions and limitations for Bobrick Washroom Accessories, Koala Kare Products Baby Changing Stations and other products, please visit bobrick.com.

Bobrick, Koala Kare and MICROBAN and other brand names are registered with the United States Patent and Trademark Offices and as trademarks in several countries throughout the world. For patent information, please visit bobrick.com/patents.